



Vendor Faire
Construction Manager at Risk

June 30, 2016



Agenda

- Health and Safety
- City of San Mateo's Wastewater Management
- Clean Water Program Overview
- Progress to Date
- CMAR Opportunity and Delivery Approach
- Communications
- Procurement Approach
- Feedback, Questions, and Discussion

Health and Safety

- In case of emergency
 - *Always be aware of emergency exit locations*
 - *Move directly to the meeting place location*
 - *Sign in sheet for role call*



City MVP

- **Mission:** Serving the San Mateo community through collaboration, innovation, and professionalism
- **Values:** Respect, creativity, integrity, transparency, inclusivity
- **Organizational Pinciples:** Engaged and accountable workforce, working as one organization, maintaining long-term perspective, seeking constant improvement, and leading through informed risk-taking

City of San Mateo's Wastewater Management System



Existing Wastewater Treatment Plant



Clean Water Program

- 2009 Cease & Desist Order (CDO) to eliminate SSOs and unauthorized discharge from the wastewater treatment plant
- 2013 NPDES permit requirements

- ✓ Meet current and future regulatory requirements
- ✓ Replace aging infrastructure
- ✓ Provide wet weather capacity assurance in the collection system and at the WWTP
- ✓ Align with City's sustainability goals
- ✓ Address climate change and energy requirements

Since the Inception of the CWP

- WWTP Master Plan validation and introduction of alternative treatment options
- Collection system bundling and sequencing
- Programmatic EIR and preferred alternative certified/adopted by City Council
- Several professional service contracts awarded
 - *Primary Treatment/Headworks and Secondary Treatment designs awarded to HDR*
- Decision to use alternative delivery for the WWTP projects
- Maintained original schedule and met all milestones

WWTP System Improvements

New...

- Admin building
- Headworks
- Primary clarifiers
- Biological nutrient removal basin (BNR)
- Membrane bioreactor (MBR) and supporting systems

Modified...

- Disinfection (may be new or modified)
- Existing aeration basins converted to new equalization basins

Demolition...



WWTP Capacity

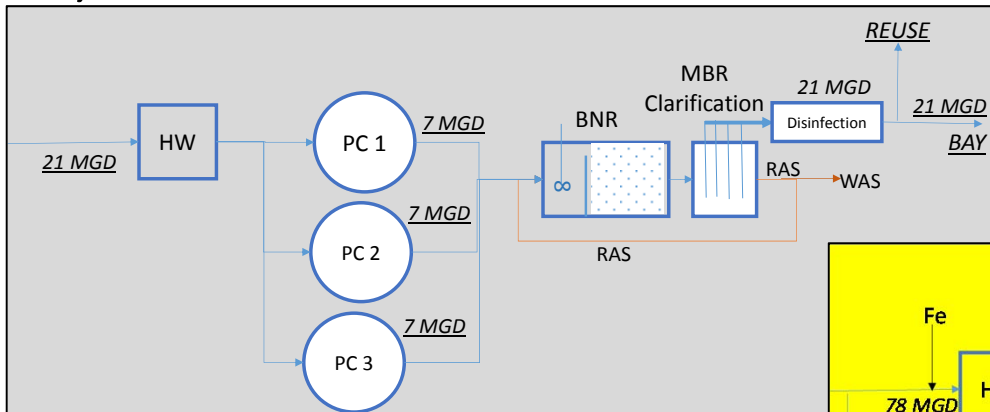
General treatment capacity

- Primary: 60 mgd
- MBR system: 21 mgd
- Wet weather with BioCEPT approach: 39mgd

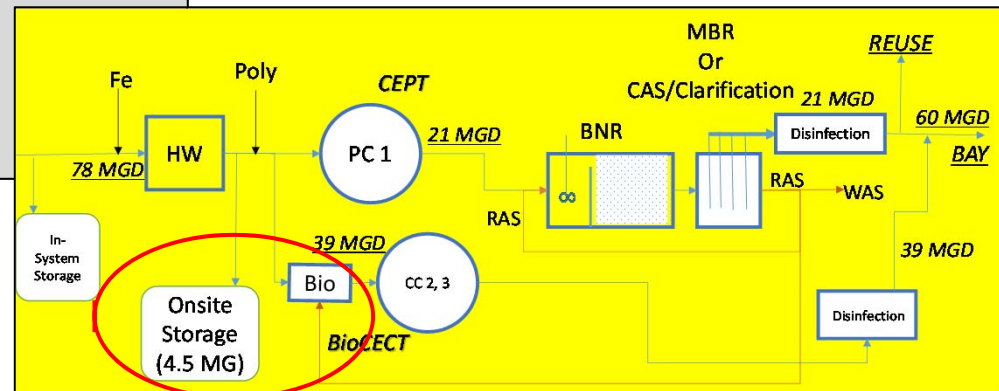
Parameter	Max Month (mgd)	Peak Wet Weather (mgd)
Influent	21	78
Headworks	21	78
Primary	21	60
Secondary		
<i>MBR</i>	21	-
<i>BioCEPT</i>	-	39
Outfall	60	60

Dry and Wet Weather Flow Layouts

Dry Weather



Wet Weather



CMAR Decision

- Establish collaborative relationship
- Maintains schedule and design team
- Quality contractor with WWTP experience
- Get ahead of large quantity of Bay Area construction work in 2017/18
- Get contractor input during design
- Earlier price certainty and open book procurement

CMAR Opportunity

- Intent is to **establish a relationship of trust, confidence, and collaboration** between the CMAR, the Design Engineer (HDR), the Program Manager (CH2M), and the City
- One step procurement (RFQ) with interviews
- Select CMAR on qualifications and best value
- Open book procurement

Key Considerations

- SRF funding for project
- DBE per SRF requirements
- Small/local contractor outreach is important
- WWTP will remain in operation during construction
- Permit violations are unacceptable
- 2-stage contract (pre-construction and construction)
- Public relations are critical

CMAR Scope

- CMAR on board by 30% design
- Open book pricing (designer will prepare parallel price, using same cost model)
- Develop cost model and initial pricing at 30%
- Initial pricing at 60%
- GMP at 95%
- Final price and negotiations at 100%
- Constructability review at each phase

Delivery Team

Role	Project Team Member
Owner	City of San Mateo
Program Manager	CH2M
Design Engineer	HDR
Construction Manager	CH2M
CMAR	TBD
Public Outreach	Circlepoint

Communications Approach

- Vendor Faire – June 30
- Points of Contact
 - *Prior to RFQ: Rich Pyle (richard.pyle@ch2m.com)*
 - *After RFQ is Issued: Ben Wright (ben.wright@ch2m.com)*
- Preproposal meeting on August 23, 2016
- CWP Website: *cleanwaterprogramsanmateo.org*

Procurement Schedule

- CMAR Vendor Faire – June 30
- Issue RFQ – August 22
- SOQs Due – October 3
- Shortlist Issued – October 17
- Interviews – week of October 31
- CMAR Selection – November 4
- CMAR NTP – January 2017

- ✓ 30% design complete: Jan 2017
- ✓ 60% design complete: May 2017
- ✓ 90% design complete: Oct 2017
- ✓ 100% design complete: Jan 2018
- ✓ Construction completion: Dec 2021

Feedback, Questions, and Discussion